

Hard disk installation instructions.

The included CD is ONLY used for windows 98. All newer systems don't need any additional drivers for the enclosure to work.

The Product:



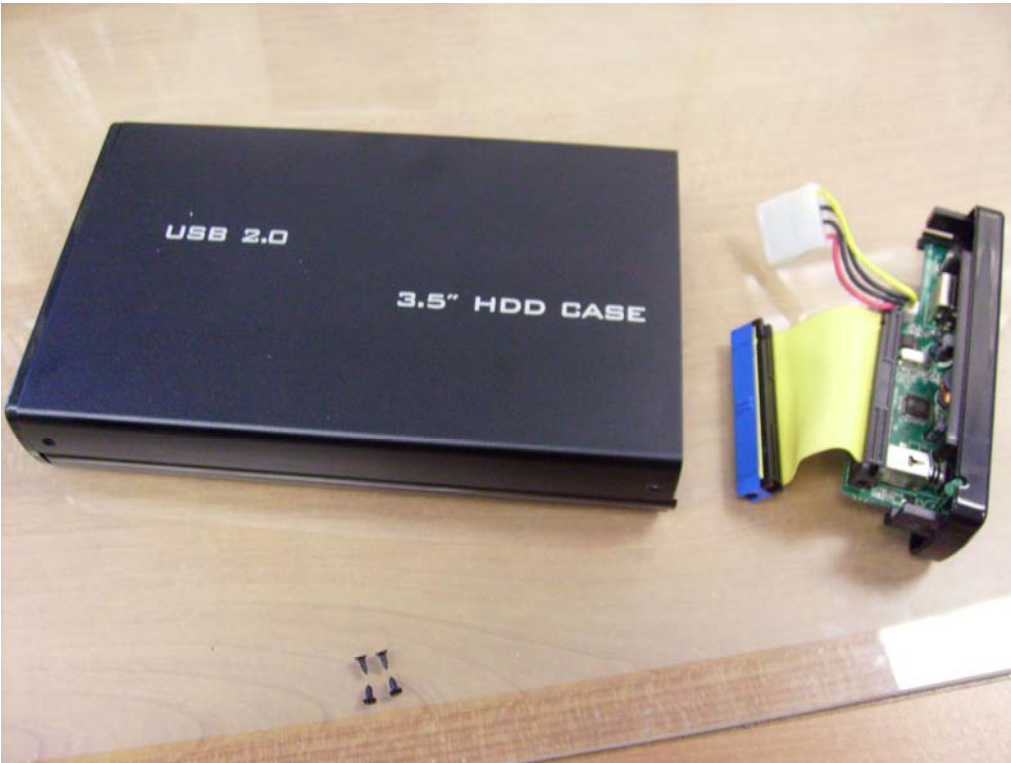
Here are the contents of the box:



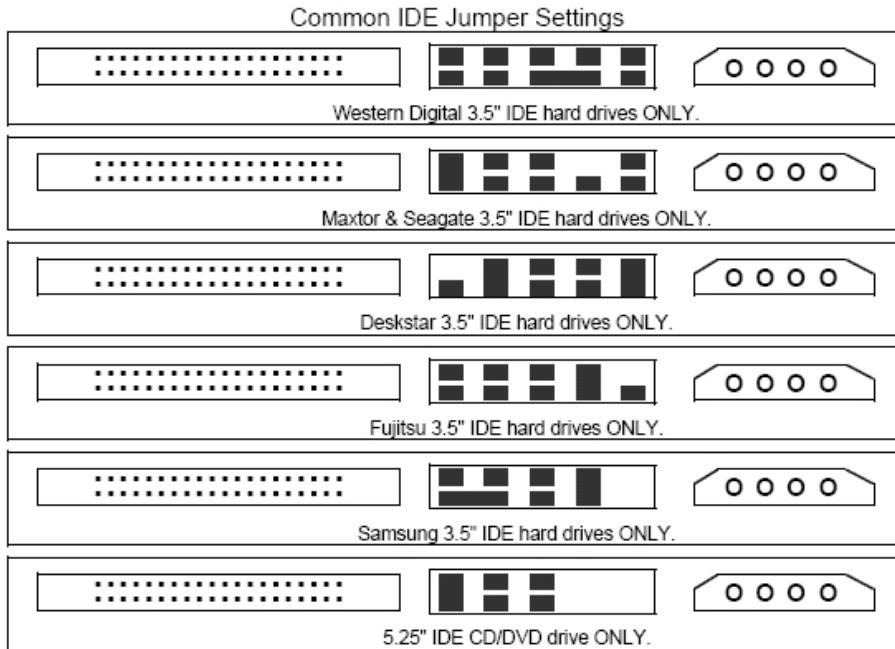
Remove the four screws on the exterior



Remove the cover from the unit



Set the jumpers on the back of your drive



For all 2.5" IDE notebook drives, remove any jumpers.
The above IDE maps are for general drives. Western Digital **MUST** be set to "Single"
Check on the printed label on your drive to ensure it matches with the "Master" setting

Attach your drive to the ribbon and power cable



Line up the screw holes on the enclosure with the screw holes on the drive



Find the bag of screws that came included with the enclosure



Install the four screws to secure the drive in the enclosure



Reinstall the side rails to hide the screws



Put the back cover back into place. Make sure that the screw holes lineup



Put the four screws back into place



For brand new hard drives, please follow these steps:

Plug the USB enclosure into an available USB port on your computer. If you are running windows 2000, XP, or Vista, the following steps will apply to you. Mac users can ignore these steps; OS-X does all this for you automatically, or with older Apples, you can use disksetup.

Step 1.

After inserting the USB cable into your computer, right-click on the “My Computer” (Vista users, right-click on “Computer”) icon and select “Manage.”

The computer management window should open up. It should be in two sides, the right side and the left side. On the left side, the second from the bottom, there is “Disk Management (local).” Click once on “Disk Management (local).” The right side should fill up with the drive information.

Step 2.

Usually in XP, a window will pop-up asking if you want to convert the drive to “dynamic disk.” Say, “NO” to that and continue. On the bottom-right-side of the screen, it should list the attached drives. They should have a blue bar going across. Your new drive will have gray going across. Right-click on the left side of the drive, where it says, for example, “Disk 1,” and select “initialize.” Once that is completed, you can right-click on the gray bar and select “create partition.” The wizard will walk you through the steps. Once it is done, it will format the drive and it may take an hour or so, depending on the speed and size of the drive.

When the formatting process is completed, you will see it in “My Computer” and be able to put files and documents on the drive.

For drives that have already been formatted or have an operating system on it:

After the enclosure has been plugged into an available USB port, the drives should be accessible in “My Computer.”

If you have any “mapped network drives” listed in “My Computer”, and if you don’t see your drive, you may have to do this:

- a.) Right-click on “My Computer” (or if you are on Vista, it will be “Computer”) and select “Manage.”
 - b.) On the left-side of the window, click on “disk management”
 - c.) The right-side of the screen should fill up with information. Find your external drive and right-click on it. Select “change drive letter and paths...”
 - d.) The “Change Drive...” window should come up. Click on the drive letter and click on the “Change” button.
 - e.) A new window should come up. Click on the letter drive and select a new one from the list. Then press the “OK” button.
 - f.) A “Confirm” pop-up will appear. Press the “YES” button.
- Your drive should work fine now.

Quick Note:

If you are running Windows and the hard disk is out of an Apple, Windows is unable to read the drive. You will have to plug the enclosure into another Apple computer to access your data. Windows is able to reformat the drive so you can use it within Windows, but formatting the disk will destroy all the data. To do this, follow the above steps like it is a new drive.